



3H MACHINE CO., LTD.

No.10, Changxing 5th St., Rende,

Tainan 71747, Taiwan

TEL: +886-6-2723216

FAX: +886-6-2723296

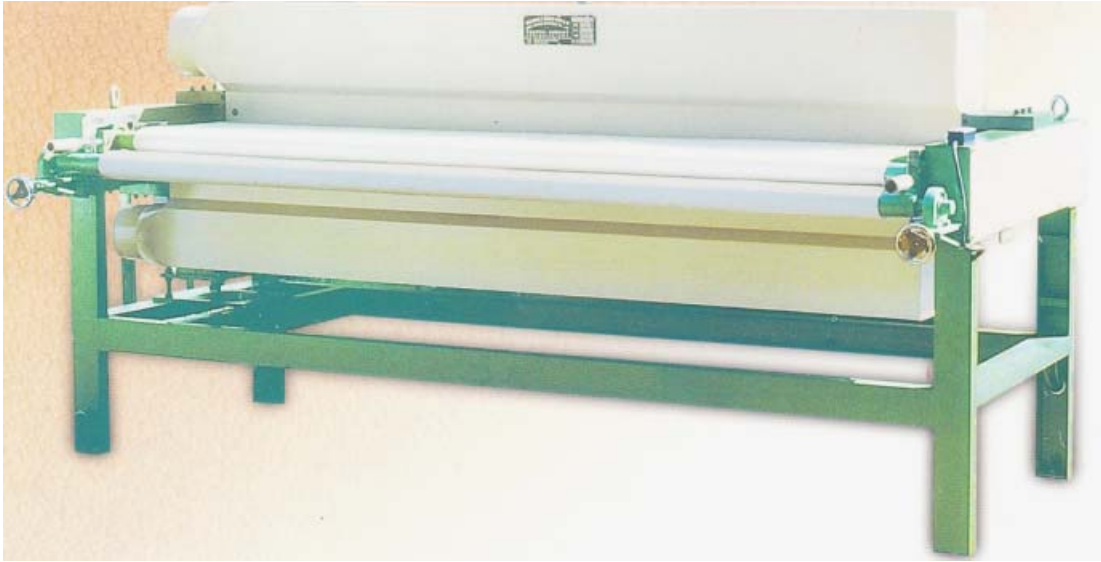
MOBIL PHONE: +886-955-267823

WEB: www.3hmachine.com

E-MAIL: h3h3h3h@ms24.hinet.net

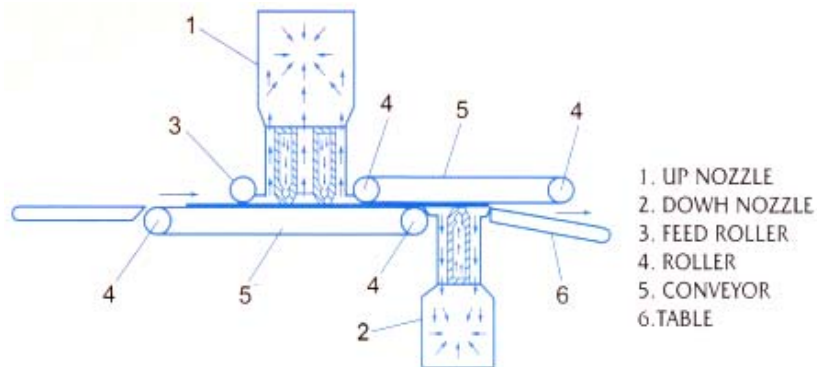


Buffing and Leather Dedusting machine



The principle of Dedusting machine is designed to carry leather into machine for dust removing by conveyor using. Through 3 sets wind mouthpieces of 0.1 mm clearance, the machine can clean and remove leather dust completely by blower and the dust collection box. Also the operation speed can be adjusted as control of continuous variable transmission.

The output of the blower is 500 M³/hr, and after passing through the dust collecting box, the output can be 80 M³/hr. It can working with buffing machine as continuous equipment.



Working Width	1800 mm	2400 mm	3000 mm
Capacity	4M ~ 30M / minute		
HP (Kw)	21 (15.75)	32 (24)	42 (31.5)
Net Weight	1500 Kg	2000 Kg	2850 Kg
Size (mm)	2300 x 1350 x 1300	2965 x 1420 x 1450	3765 x 1420 x 1450

3H MACHINE CO., LTD.

No.10, CHANGXI 5TH STREET, RENDE, TAINAN, 71747 TAIWAN
 TEL: +886-6-2723216 FAX: +886-6-2723296
 WEB: WWW.3HMACHINE.COM E-MAIL: h3h3h3h@ms24.hinet.net